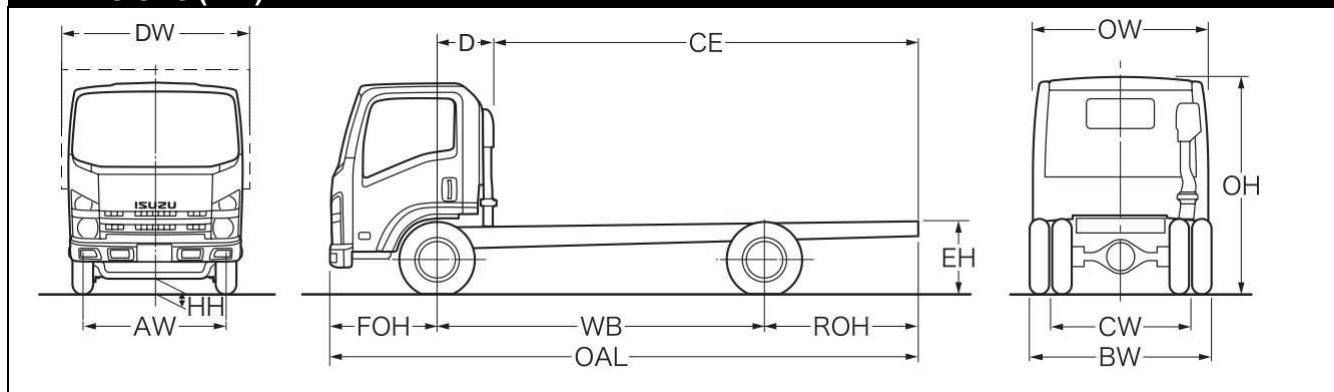


DIMENSIONS (mm)



Wheelbase	WB	2800	3395
Overall length	OAL	5235	6085
Body length min ¹	CE _{min}	3480	4325
Body length max ¹	CE _{max}	3775	4615
Front overhang	ROH	1330	1595
Chassis height (unladen)	EH	725	720
Overall height (unladen)	OH	2225	2225
Rear axle width	BW	1925	1925
Cab width ²	OW	2040	2040
Body width ³	DW	2345	2345
Front axle to back of cab	D	650	650
Rear overhang	FOH	1100	1100
Front track	AW	1680	1680
Rear track	CW	1485	1485
Minimum Road Clearance	HH	190	190

SPECIFICATIONS

Wheelbase	2800	2800	3395	3395
Hand drive	Left	Left	Left	Left
Transmission type	M/T	A/T	M/T	A/T
Code	30495	-	30496	-
Fuel tank capacity[L]	100	100	100	100
Battery q.ty	1	1	1	1
Final Drive Ratio	4.777	4.556	4.777	4.556

WEIGHT (kg)

Weight ⁴	2152	2197	2177	2222
Unladen weight	2003	2048	2028	2073
Unladen weight front axle				
Unladen weight rear axle				
Minimum weight vehicle equipped				
Gross vehicle weight	3500	3500	3500	3500
Max load on front axle	2100	2100	2100	2100
Max load on rear axle	2435	2435	2435	2435
Max trailer weight unbraked	750	750	750	750
Max trailer weight braked	3500	3500	3500	3500

- The length of the body refers to a uniformly loaded vehicle, up to the maximum capacity on each axle (dimensions declared in C.O.C. with no chassis modifications).
- Excluding turn signal and side mirrors.
- Possible widths with optional mirror brackets: 2040/2170 - 2170/2345 - 2345/2500.
- The weight includes spare wheel, full fuel tank and driver 75kg.

Wheelbase (mm) F 2800 - H 3395

Equipment			
Standard features	<ul style="list-style-type: none"> - Power operated windows - Reverse warning - Suspension seat - Radio with USB - Immobilizer - Central locking - Rear twin wheels - Fog lamp - Day time running lights - Spare wheel - Side mirror heated and electric 		
Optional equipment	Air conditioning		
Engine	<p>4 cylinders, Turbo Common-rail, Displacement: 1.9 l Power: 90 kW/123 cv @ 3.200 rpm Torque: 320 Nm @ 1.500-2.700 rpm Emission level: Euro 6b-1 After-treatment system: EGR - LNT - DPD</p>		
Safety device	<p>ABS with BAS – Assistant brake system ESC – Electronic stability control with ASR Driver airbag</p>		
Transmission	<p>Manual MVC6: 4.942 - 2.686 - 1.527 - 1.000 - 0.796 - 0.634 Automated MYY6S: 5.979 - 3.434 - 1.862 - 1.297 - 1.000 - 0.759</p>		
Frame dimensions	Width 70 mm, Height 214 mm, Thickness 5 mm, Int. size 750 mm		
Seat number	3		
Brakes	Front and rear: ventilated discs with asbestos-free linings. Mechanical drum brake rear of transmission. Brake type: ABS divided hydraulic, vacuum servo assisted with electronic brake distribution.		
Tire	205/75 R16		
Brakes size	<table border="1" style="width: 100%;"> <tr> <td style="width: 50%;">Front: ϕ293x40</td> <td style="width: 50%;">Rear: ϕ275x30</td> </tr> </table>	Front: ϕ 293x40	Rear: ϕ 275x30
Front: ϕ 293x40	Rear: ϕ 275x30		
Suspension	Front and rear: Multi semi elliptical alloy steel leaf spring. Hydraulic double acting shock absorbers.		
Rear axle	292 mm HEAVY DUTY		
Electrical system	12V, starter 90A, Manual transmission: Nr. 1 Battery - Automated transmission: Nr. 2 batteries		