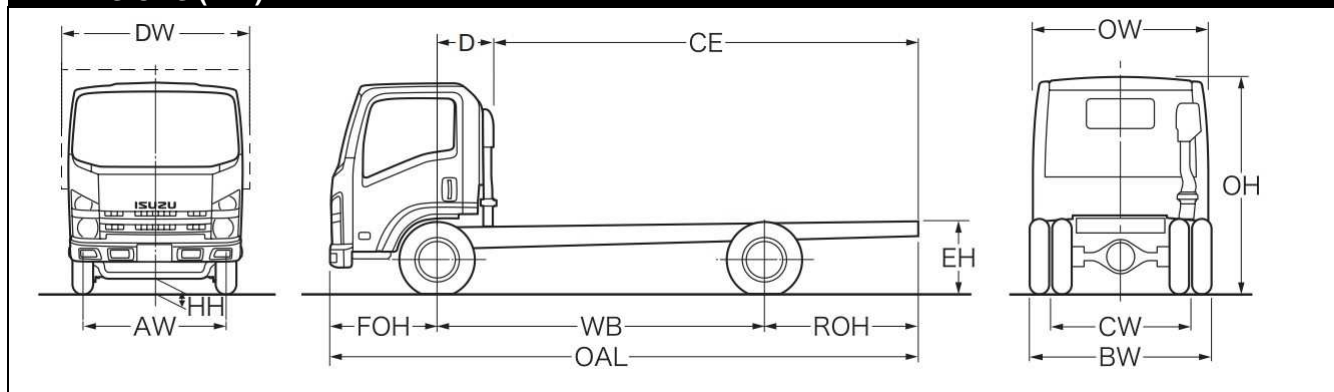


DIMENSIONS (mm)



Wheelbase	WB	2490	2760	3360
Overall length	OAL	4780	5295	6015
Body length min ¹	CE _{min}	3030	3535	4265
Body length max ¹	CE _{max}	3362	3750	4500
Front overhang	ROH	1190	1435	1555
Chassis height (unladen)	EH	730	730	720
Overall height (unladen)	OH	2150	2150	2160
Rear axle width	BW	1865	1865	1865
Cab width ²	OW	1815	1815	1815
Body width ³	DW	2120	2120	2120
Front axle to back of cab	D	650	650	650
Rear overhang	FOH	1100	1100	1100
Front track	AW	1475	1475	1475
Rear track	CW	1425	1425	1425
Minimum Road Clearance	HH	190	190	190

SPECIFICATIONS

Wheelbase	2490	2760	2760	3360	3360	3360	3360
Hand drive	Left	Left	Left	Left	Left	Left	Left
Transmission type	M/T	M/T	A/T	M/T	A/T	M/T	A/T
Code	30291	30292	-	30293	-	30294	-
Fuel tank capacity[L]	75	75	75	75	75	75	75
Battery q.ty	1	1	2	1	2	1	2
Final Drive Ratio	4.556	4.556	4.300	4.556	4.300	4.777	4.300
Tire dimensions	R15	R15	R15	R15	R15	R16	R16

WEIGHT (kg)

Weight ⁴	1952	1967	2012	1992	2037	2033	2078
Unladen weight	1822	1837	1882	1862	1907	1903	1948
Unladen weight front axle							
Unladen weight rear axle							
Minimum weight vehicle equipped							
Gross vehicle weight	3500	3500	3500	3500	3500	3500	3500
Max load on front axle	1900	1900	1900	1900	1900	1900	1900
Max load on rear axle	2435	2435	2435	2435	2435	2435	2435
Max trailer weight unbraked	750	750	750	750	750	750	750
Max trailer weight braked	3500	3500	3500	3500	3500	3500	3500

- The length of the body refers to a uniformly loaded vehicle, up to the maximum capacity on each axle (dimensions declared in C.O.C. with no chassis modifications).
- Excluding turn signal and side mirrors.
- Possible widths with optional mirror brackets: 1815/1945 – 1945/2120 – 2120/2275.
- The Weight include spare wheel, full fuel tank and driver 75 kg.

Wheelbase (mm) E 2480 - F 2750 - H 3350

Equipment			
Standard features	<ul style="list-style-type: none"> - Power operated windows - Reverse warning - Suspension seat - Radio with USB 		
	<ul style="list-style-type: none"> - Immobilizer - Central locking - Twin rear wheels - Fog lamp 		
	<ul style="list-style-type: none"> - Day time running lights - Spare wheel 		
Optional equipment	Air conditioning		
Engine	<p>4 cylinders, Turbo Common-rail, Displacement: 1.9 l Power: 90 kW/123 cv @ 3.200 rpm Torque: 320 Nm @ 1.500-2.700 rpm Emission level: Euro 6b-1 After-treatment system: EGR - LNT - DPD</p>		
Safety device	<p>ABS with BAS – Assistant brake system ESC – Electronic stability control with ASR Driver airbag</p>		
Transmission	<p>Manual MVC6: 4.942 - 2.686 - 1.527 - 1.000 - 0.796 - 0.634 Automated MYY6S: 5.979 - 3.434 - 1.862 - 1.297 - 1.000 - 0.759</p>		
Frame dimensions	Width 65 mm, Height 180 mm, Thickness 4 mm, Int. size 700 mm		
Seat number	3		
Brakes	Front and rear: ventilated discs with asbestos-free linings. Mechanical drum brake rear of transmission. Brake type: ABS divided hydraulic, vacuum servo assisted with electronic brake distribution.		
Tire	<table border="1" style="width: 100%;"> <tr> <td>205/70 R15C</td> <td>205/75 R16</td> </tr> </table>	205/70 R15C	205/75 R16
205/70 R15C	205/75 R16		
Brakes size	<table border="1" style="width: 100%;"> <tr> <td>Front: ϕ265x35 Rear: ϕ275x30</td> <td>Front: ϕ293x40 Rear: ϕ275x30</td> </tr> </table>	Front: ϕ 265x35 Rear: ϕ 275x30	Front: ϕ 293x40 Rear: ϕ 275x30
Front: ϕ 265x35 Rear: ϕ 275x30	Front: ϕ 293x40 Rear: ϕ 275x30		
Suspension	Front: Independent suspension with coil spring and double wishbone. Rear: Multi semi elliptical alloy steel leaf spring. Hydraulic double acting shock absorbers.		
Rear axle	220 mm LIGHT DUTY		
Electrical system	12V, starter 90A, Manual transmission: Nr. 1 Battery - Automated transmission: Nr. 2 batteries		