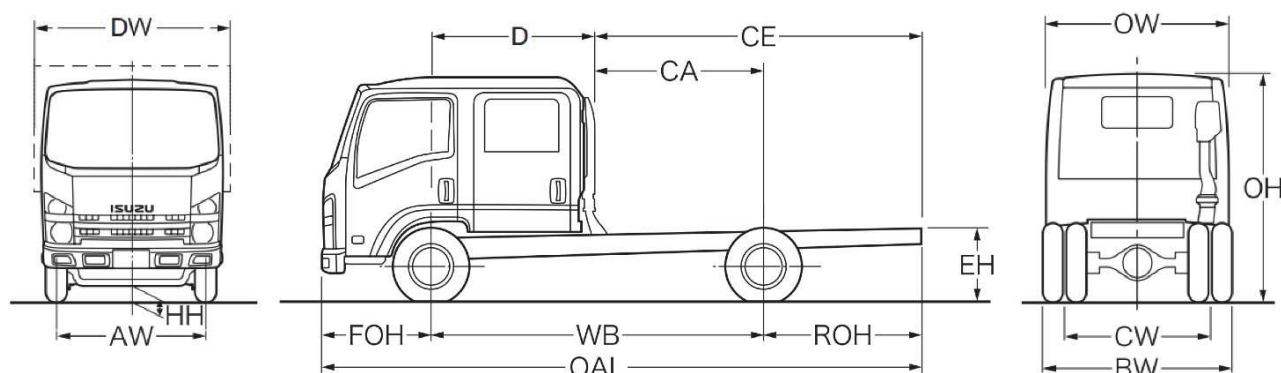


### DIMENSIONS (mm)



Wheelbase	WB	3350
Overall length	OAL	6015
Body length min <sup>1</sup>	CE <sup>min</sup>	3205
Body length max <sup>1</sup>	CE <sup>max</sup>	3440
Front overhang	ROH	1555
Chassis height (unladen)	EH	715
Overall height (unladen)	OH	2225
Rear axle width	BW	1865
Cab width <sup>2</sup>	OW	1815
Body width <sup>3</sup>	DW	2120
Front axle to back of cab	D	1700
Rear overhang	FOH	1100
Front track	AW	1475
Rear track	CW	1425
Minimum Road Clearance	HH	190

### SPECIFICATIONS

Wheelbase	3350	3350
Hand drive	Left	Left
Transmission type	M/T	A/T
Code	30580	-
Fuel tank capacity[L]	75	75
Battery q.ty	1	2
Final Drive Ratio	4.777	4.556

### WEIGHT (kg)

Weight <sup>4</sup>	2214	2259
Unladen weight	2084	2129
Unladen weight front axle		
Unladen weight rear axle		
Minimum weight vehicle equipped		
Gross vehicle weight	3500	3500
Max load on front axle	2100	2100
Max load on rear axle	2435	2435
Max trailer weight unbraked	750	750
Max trailer weight braked	3500	3500

1. The length of the body refers to a uniformly loaded vehicle, up to the maximum capacity on each axle (dimensions declared in C.O.C. with no chassis modifications).
2. Excluding turn signal and side mirrors.
3. Possible widths with optional mirror brackets: 1815/1945 – 1945/2120 – 2120/2275
4. The Weight include spare wheel, full fuel tank and driver 75 kg.

### Wheelbase (mm) H 3395

<b>Equipment</b>			
<b>Standard features</b>	<ul style="list-style-type: none"> <li>- Power operated windows Front e Rear</li> <li>- Reverse warning</li> <li>- Suspension seat</li> <li>- Radio with USB</li> <li>- Immobilizer</li> <li>- Remote control</li> <li>- Day time running lights</li> <li>- Rear twin wheels</li> <li>- Fog lamp</li> <li>- Spare wheel</li> </ul>		
<b>Optional equipment</b>	Air conditioning		
<b>Engine</b>	<p>4 cylinders, Turbo Common-rail, Displacement: 1.9 l            Power: 90 kW/123 cv @ 3.200 rpm            Torque: 320 Nm @ 1.500-2.700 rpm            Emission level: Euro 6b-1            After-treatment system: EGR - LNT - DPD</p>		
<b>Safety device</b>	<p>ABS with BAS – Assistant brake system  <b>ESC</b> – Electronic stability control with ASR            Driver airbag</p>		
<b>Transmission</b>	<p>Manual MVC6: 4.942 - 2.686 - 1.527 - 1.000 - 0.796 - 0.634            Automated MYY6S: 5.979 - 3.434 - 1.862 - 1.297 - 1.000 - 0.759</p>		
<b>Frame dimensions</b>	Width 65 mm, Height 180 mm, Thickness 4 mm, Int. size 700 mm		
<b>Seat number</b>	6		
<b>Brakes</b>	Front and rear: ventilated discs with asbestos-free linings. Mechanical drum brake rear of transmission. Brake type: ABS divided hydraulic, vacuum servo assisted with electronic brake distribution.		
<b>Tire</b>	205/75 R16		
<b>Brakes size</b>	<table border="1" style="width: 100%;"> <tr> <td style="width: 50%;">Front: <math>\varnothing</math>293x40</td> <td style="width: 50%;">Rear: <math>\varnothing</math>275x30</td> </tr> </table>	Front: $\varnothing$ 293x40	Rear: $\varnothing$ 275x30
Front: $\varnothing$ 293x40	Rear: $\varnothing$ 275x30		
<b>Suspension</b>	Front and rear: Multi semi elliptical alloy steel leaf spring. Hydraulic double acting shock absorbers.		
<b>Rear axle</b>	220 mm LIGHT DUTY		
<b>Electrical system</b>	12V, starter 90A, Manual transmission: Nr. 1 Battery - Automated transmission: Nr. 2 batteries		