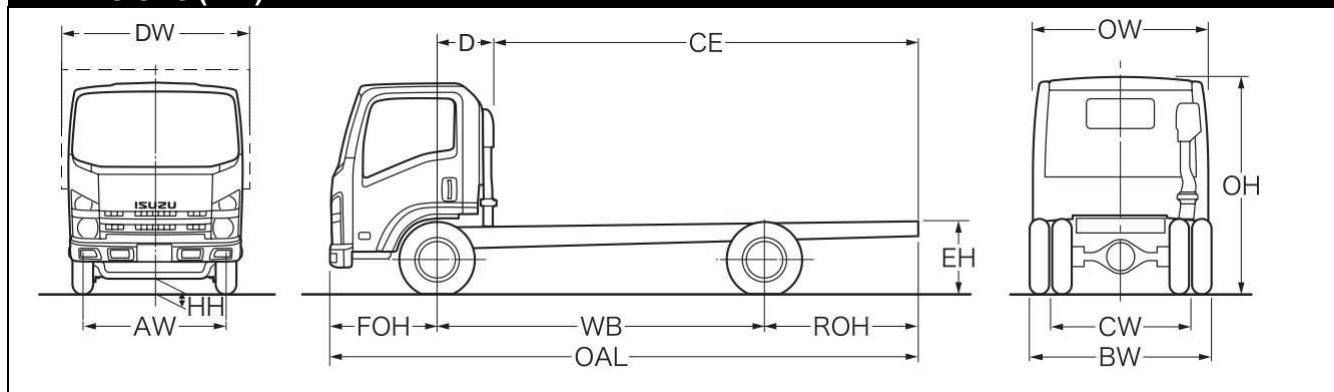


DIMENSIONS (mm)



Wheelbase	WB	2480	2750	3350
Overall length	OAL	4780	5295	6015
Body length min ¹	CE _{min}	3030	3535	4265
Body length max ¹	CE _{max}	3362	3750	4500
Front overhang	ROH	1190	1435	1555
Chassis height (unladen)	EH	730	730	720
Overall height (unladen)	OH	2150	2150	2150
Rear axle width	BW	1865	1865	1865
Cab width ²	OW	1815	1815	1815
Body width ³	DW	2120	2120	2120
Front axle to back of cab	D	650	650	650
Rear overhang	FOH	1100	1100	1100
Front track	AW	1475	1475	1475
Rear track	CW	1425	1425	1425
Minimum Road Clearance	HH	190	190	190

SPECIFICATIONS

Wheelbase	2480	2750	3350
Hand drive	Left	Left	Left
Transmission type	M/T	M/T	M/T
Code	30598	30599	30600
Fuel tank capacity[L]	63	63	63
Battery q.ty	1	1	1
Final Drive Ratio	4.777	4.777	4.777

WEIGHT (kg)

Weight ⁴	1867	1882	1907
Unladen weight	1747	1762	1787
Unladen weight front axle			
Unladen weight rear axle			
Minimum weight vehicle equipped			
Gross vehicle weight	3500	3500	3500
Max load on front axle	1900	1900	1900
Max load on rear axle	2435	2435	2435
Max trailer weight unbraked	750	750	750
Max trailer weight braked	3500	3500	3500

1. The length of the body refers to a uniformly loaded vehicle, up to the maximum capacity on each axle (dimensions declared in C.O.C. with no chassis modifications).
2. Excluding turn signal and side mirrors.
3. Possible widths with optional mirror brackets: 1815/1945 – 1945/2120 – 2120/2275.
4. The Weight include full fuel tank and driver 75 kg.

Wheelbase (mm) E 2480 - F 2750 - H 3350

Equipment	
Standard features	<ul style="list-style-type: none"> - Power operated windows - Reverse warning - Suspension seat - Immobilizer
	<ul style="list-style-type: none"> - Central locking - Rear twin wheels - Fog lamp - Day time running lights
	<ul style="list-style-type: none"> - Sunvisor only driver side
Optional equipment	<ul style="list-style-type: none"> Air conditioning Radio with USB
Engine	<p>4 cylinders, Turbo Common-rail, Displacement: 1.9 l Power: 90 kW/123 cv @ 3.200 rpm Torque: 320 Nm @ 1.500-2.700 rpm Emission level: Euro 6b-1 After-treatment system: EGR - LNT - DPD</p>
Safety device	<p>ABS with BAS – Assistant brake system ESC – Electronic stability control with ASR</p>
Transmission	Manual MVC6: 4.942 - 2.686 - 1.527 - 1.000 - 0.796 - 0.634
Frame dimensions	Width 65 mm, Height 180 mm, Thickness 4 mm, Int. size 700 mm
Seat number	3
Brakes	Front and rear: ventilated discs with asbestos-free linings. Mechanical drum brake rear of transmission. Brake type: ABS divided hydraulic, vacuum servo assisted with electronic brake distribution.
Tire	195/75 R16
Brakes size	Front: \varnothing 293x40 Rear: \varnothing 275x30
Suspension	Front and rear: Multi semi elliptical alloy steel leaf spring. Hydraulic double acting shock absorbers.
Rear axle	220 mm LIGHT DUTY
Electrical system	12V, starter 90A, Manual transmission: Nr. 1 Battery