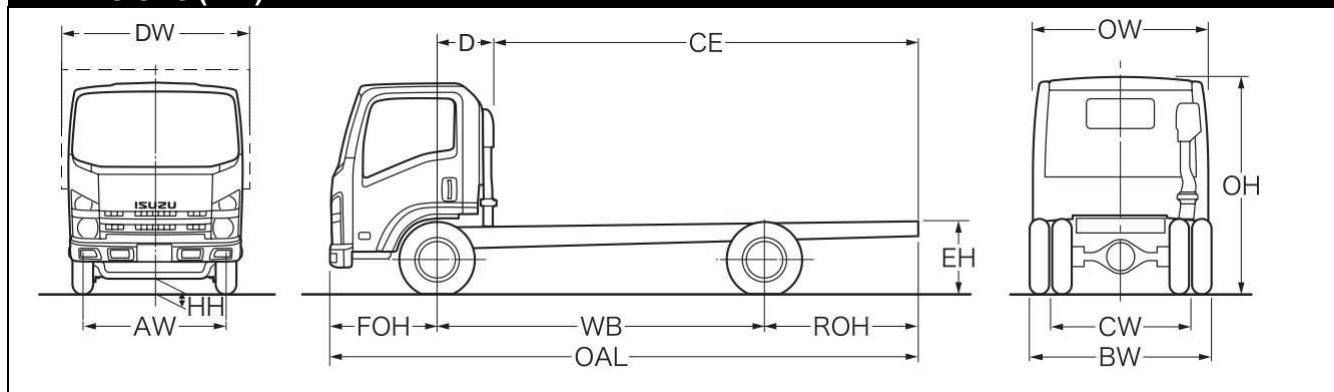


DIMENSIONS (mm)



Wheelbase	WB	2480
Overall length	OAL	4780
Body length min ¹	CE _{min}	3030
Body length max ¹	CE _{max}	3362
Front overhang	ROH	1200
Chassis height (unladen)	EH	730
Overall height (unladen)	OH	2150
Rear axle width	BW	1865
Cab width ²	OW	1815
Body width ³	DW	2120
Front axle to back of cab	D	650
Rear overhang	FOH	1100
Front track	AW	1475
Rear track	CW	1425
Minimum Road Clearance	HH	190

SPECIFICATIONS

Wheelbase	2480	2480	2480
Hand drive	Right	Right	Left
Transmission type	M/T	A/T	M/T
Code	30300	-	30579
Fuel tank capacity[L]	63	63	63
Battery q.ty	1	2	1
Final Drive Ratio	4.777	4.777	4.556

WEIGHT (kg)

Weight ⁴	1995	2040	1995
Unladen weight	1875	1920	1875
Unladen weight front axle			
Unladen weight rear axle			
Minimum weight vehicle equipped			
Gross vehicle weight	3500	3500	3500
Max load on front axle	2100	2100	2100
Max load on rear axle	2435	2435	2435
Max trailer weight unbraked	750	750	750
Max trailer weight braked	3500	3500	3500

- The length of the body refers to a uniformly loaded vehicle, up to the maximum capacity on each axle (dimensions declared in C.O.C. with no chassis modifications).
- Excluding turn signal and side mirrors.
- Possible widths with optional mirror brackets: 1815/1945 – 1945/2120 – 2120/2275.
- The Weight include spare wheel, full fuel tank and driver 75 kg.

Wheelbase (mm) E 2480

Equipment	
Standard features	<ul style="list-style-type: none"> - Power operated windows - Reverse warning - Suspension seat - Radio with USB
	<ul style="list-style-type: none"> - Immobilizer - Central locking - Rear twin wheels - Fog lamp
	<ul style="list-style-type: none"> - Day time running lights - Spare wheel
Optional equipment	Air conditioning
Engine	<p>4 cylinders, Turbo Common-rail, Displacement: 1.9 l Power: 90 kW/123 cv @ 3.200 rpm Torque: 320 Nm @ 1.500-2.700 rpm Emission level: Euro 6b-1 After-treatment system: EGR - LNT - DPD</p>
Safety device	<p>ABS with BAS – Assistant brake system ESC – Electronic stability control with ASR Driver airbag</p>
Transmission	<p>Manual MVC6: 4.942 - 2.686 - 1.527 - 1.000 - 0.796 - 0.634 Automated MYY6S: 5.979 - 3.434 - 1.862 - 1.297 - 1.000 - 0.759</p>
Frame dimensions	Width 65 mm, Height 180 mm, Thickness 4 mm, Int. size 700 mm
Seat number	3
Brakes	Front and rear: ventilated discs with asbestos-free linings. Mechanical drum brake rear of transmission. Brake type: ABS divided hydraulic, vacuum servo assisted with electronic brake distribution.
Tire	205/75 R16
Brakes size	Front: \varnothing 293x40 Rear: \varnothing 275x30
Suspension	Front and rear: Multi semi elliptical alloy steel leaf spring. Hydraulic double acting shock absorbers.
Rear axle	292 mm HEAVY DUTY
Electrical system	12V, starter 90A, Manual transmission: Nr. 1 Battery - Automated transmission: Nr. 2 batteries