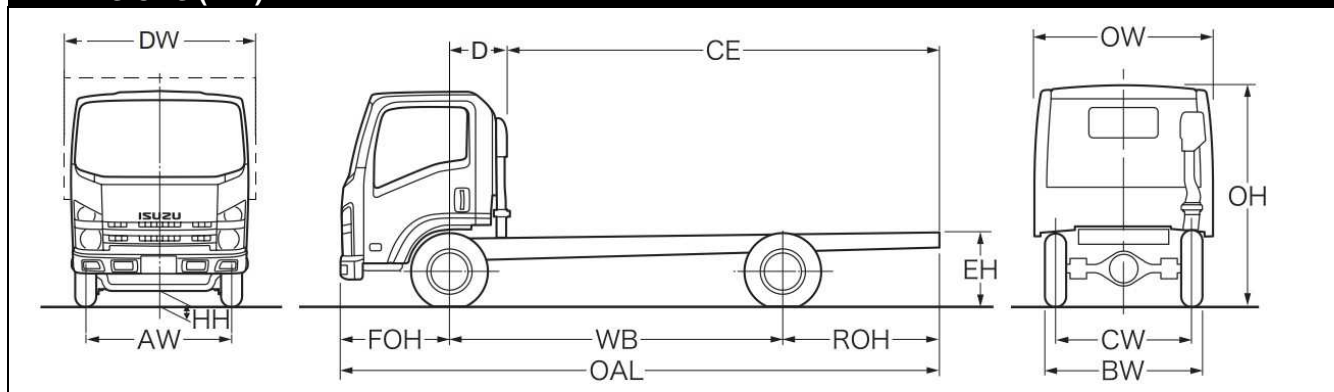


### DIMENSIONS (mm)



Wheelbase	WB	2490
Overall length	OAL	4735
Body length min <sup>1</sup>	CE <sub>min</sub>	3010
Body length max <sup>1</sup>	CE <sub>max</sub>	3343
Front overhang	ROH	1145
Chassis height (unladen)	EH	730
Overall height (unladen)	OH	2145
Rear axle width	BW	1640
Cab width <sup>2</sup>	OW	1815
Body width <sup>3</sup>	DW	2120
Front axle to back of cab	D	650
Rear overhang	FOH	1100
Front track	AW	1395
Rear track	CW	1395
Minimum Road Clearance	HH	190

### SPECIFICATIONS

Hand drive	Left	Left	Right
Transmission type	M/T	A/T	A/T
Code	30290	-	-
Fuel tank capacity[L]	63	75	75
Battery q.ty	1	2	2
Final Drive Ratio	4.777	4.556	4.556

### WEIGHT (kg)

Weight <sup>4</sup>	1896	1951	1951
Unladen weight	1776	1821	1821
Unladen weight front axle			
Unladen weight rear axle			
Minimum weight vehicle equipped			
Gross vehicle weight	3500	3500	3500
Max load on front axle	1900	1900	1900
Max load on rear axle	2000	2000	2000
Max trailer weight unbraked	750	750	750
Max trailer weight braked	3500	3500	3500

1. The length of the body refers to a uniformly loaded vehicle, up to the maximum capacity on each axle (dimensions declared in C.O.C. with no chassis modifications).
2. Excluding turn signal and side mirrors.
3. Possible widths with optional mirror brackets: 1815/1945 – 1945/2120 – 2120/2275.
4. The Weight include spare wheel, full fuel tank and driver 75 kg.

