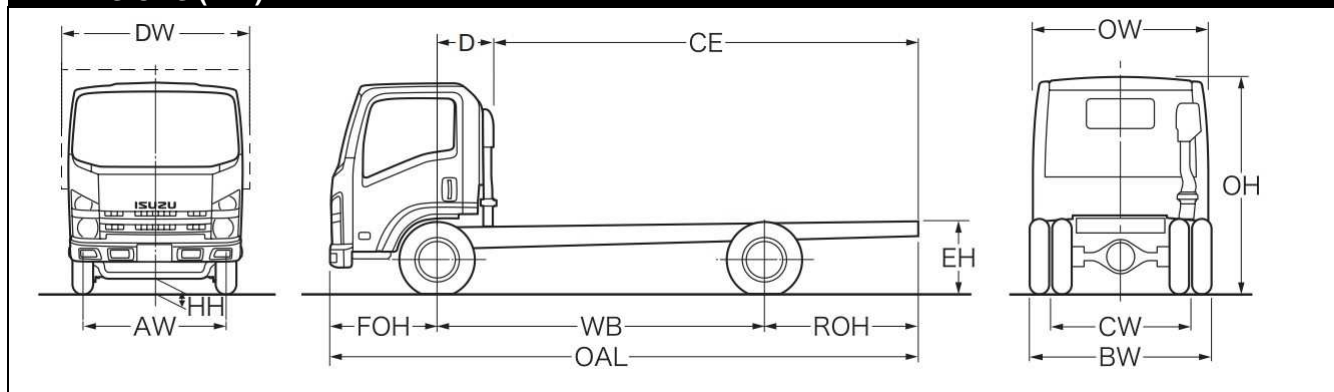


DIMENSIONS (mm)



| | | | | |
|------------------------------|-------------------|------|------|------|
| Wheelbase | WB | 2480 | 2750 | 3350 |
| Overall length | OAL | 4780 | 5295 | 6015 |
| Body length min ¹ | CE _{min} | 3030 | 3535 | 4265 |
| Body length max ¹ | CE _{max} | 3362 | 3750 | 4500 |
| Front overhang | ROH | 1200 | 1435 | 1555 |
| Chassis height (unladen) | EH | 730 | 730 | 720 |
| Overall height (unladen) | OH | 2150 | 2150 | 2160 |
| Rear axle width | BW | 1865 | 1865 | 1865 |
| Cab width ² | OW | 1815 | 1815 | 1815 |
| Body width ³ | DW | 2120 | 2120 | 2120 |
| Front axle to back of cab | D | 650 | 650 | 650 |
| Rear overhang | FOH | 1100 | 1100 | 1100 |
| Front track | AW | 1475 | 1475 | 1475 |
| Rear track | CW | 1425 | 1425 | 1425 |
| Minimum Road Clearance | HH | 190 | 190 | 190 |

SPECIFICATIONS

| | | | | | |
|-----------------------|-------|-------|-------|-------|-------|
| Wheelbase | 2480 | 2480 | 2750 | 2750 | 3350 |
| Hand drive | Left | Left | Left | Left | Left |
| Transmission type | M/T | A/T | M/T | A/T | M/T |
| Code | 30296 | - | 30298 | - | 30299 |
| Fuel tank capacity[L] | 75 | 75 | 75 | 75 | 75 |
| Battery q.ty | 1 | 2 | 1 | 2 | 1 |
| Final Drive Ratio | 4.777 | 4.556 | 4.777 | 4.556 | 4.777 |

WEIGHT (kg)

| | | | | | |
|---------------------------------|------|------|------|------|------|
| Weight ⁴ | 1973 | 2018 | 1988 | 2033 | 2013 |
| Unladen weight | 1843 | 1888 | 1858 | 1903 | 1883 |
| Unladen weight front axle | | | | | |
| Unladen weight rear axle | | | | | |
| Minimum weight vehicle equipped | | | | | |
| Gross vehicle weight | 3500 | 3500 | 3500 | 3500 | 3500 |
| Max load on front axle | 2100 | 2100 | 2100 | 2100 | 2100 |
| Max load on rear axle | 2435 | 2435 | 2435 | 2435 | 2435 |
| Max trailer weight unbraked | 750 | 750 | 750 | 750 | 750 |
| Max trailer weight braked | 3500 | 3500 | 3500 | 3500 | 3500 |

1. The length of the body refers to a uniformly loaded vehicle, up to the maximum capacity on each axle (dimensions declared in C.O.C. with no chassis modifications).
2. Excluding turn signal and side mirrors.
3. Possible widths with optional mirror brackets: 1815/1945 – 1945/2120 – 2120/2275.
4. The Weight include spare wheel, full fuel tank and driver 75 kg.

Wheelbase (mm) E 2480 - F 2750 - H 3350

| | |
|---------------------------|---|
| Equipment | |
| Standard features | <ul style="list-style-type: none"> - Power operated windows - Reverse warning - Suspension seat - Radio with USB |
| | <ul style="list-style-type: none"> - Immobilizer - Central locking - Rear twin wheels - Fog lamp |
| | <ul style="list-style-type: none"> - Day time running lights - Spare wheel |
| Optional equipment | Air conditioning |
| Engine | <p>4 cylinders, Turbo Common-rail, Displacement: 1.9 l Power: 90 kW/123 cv @ 3.200 rpm Torque: 320 Nm @ 1.500-2.700 rpm Emission level: Euro 6b-1 After-treatment system: EGR - LNT - DPD</p> |
| Safety device | <p>ABS with BAS – Assistant brake system ESC – Electronic stability control with ASR Driver airbag</p> |
| Transmission | <p>Manual MVC6: 4.942 - 2.686 - 1.527 - 1.000 - 0.796 - 0.634 Automated MYY6S: 5.979 - 3.434 - 1.862 - 1.297 - 1.000 - 0.759</p> |
| Frame dimensions | Width 65 mm, Height 180 mm, Thickness 4 mm, Int. size 700 mm |
| Seat number | 3 |
| Brakes | Front and rear: ventilated discs with asbestos-free linings. Mechanical drum brake rear of transmission. Brake type: ABS divided hydraulic, vacuum servo assisted with electronic brake distribution. |
| Tire | 205/75 R16 |
| Brakes size | Front: \varnothing 293x40 Rear: \varnothing 275x30 |
| Suspension | Front and rear: Multi semi elliptical alloy steel leaf spring. Hydraulic double acting shock absorbers. |
| Rear axle | 220 mm LIGHT DUTY |
| Electrical system | 12V, starter 90A, Manual transmission: Nr. 1 Battery - Automated transmission: Nr. 2 batteries |